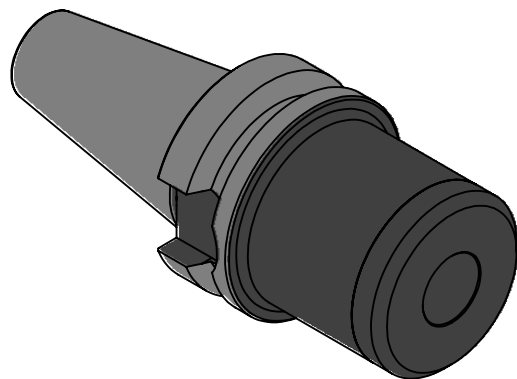
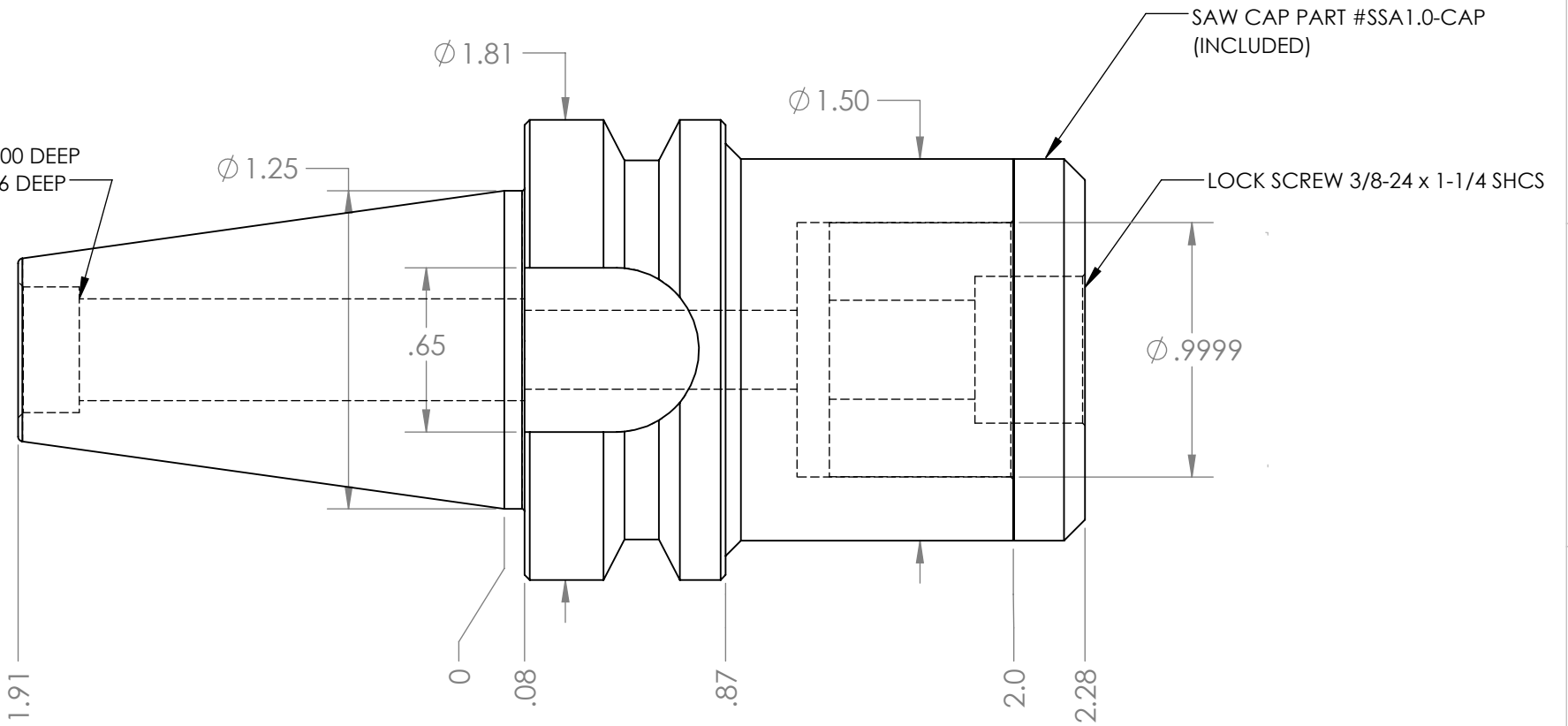


M12x1.75 THREAD x 1.00 DEEP
C'BORE DIA .492 x .236 DEEP



NOTES:
SAW CAP IS .281 THICK AND .9999 DIAMETER BOSS .700 LONG
FOR MORE PRODUCT DETAILS PLEASE GO TO MARITOO.COM
AND SEARCH ITEM # LISTED ON THIS PRINT

MARITOO

WWW.MARITOO.COM

ITEM# **BT30 SSA1.0-2.0**

Made in USA